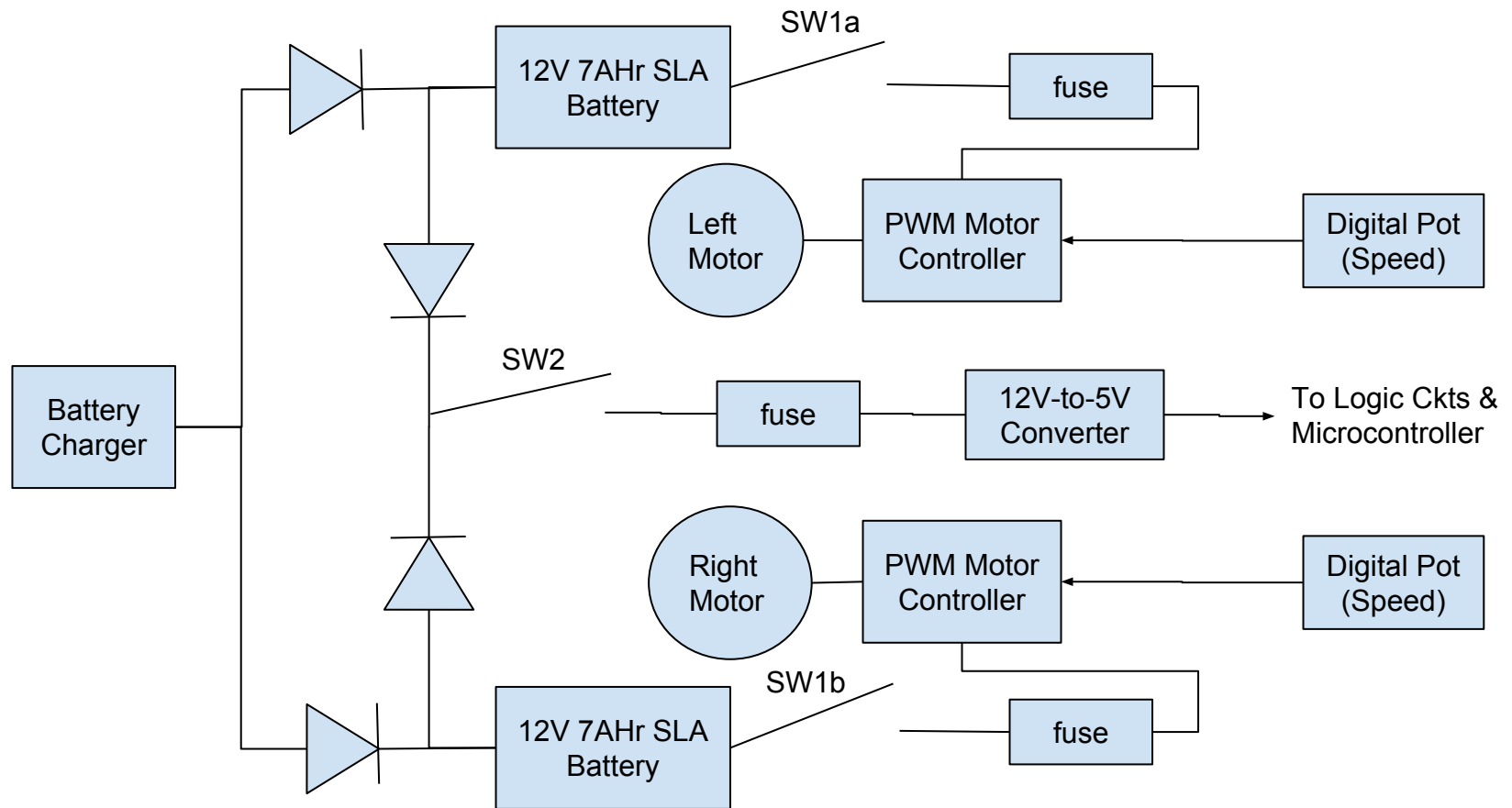


# DC Motor Charging, Power, and Speed Control System



SW1a/b - 12VDC  
SW2 - 5VDC